

# MasterCrimp Smooth Bore Fittings

US Hose manufactures and inventories over 500 sizes and styles of fittings. Fitting materials consist of carbon steel, stainless steel, brass, or a combination of materials.

**We will manufacture custom fittings to your specifications.** Contact our customer service department for more information about this service.

## PERMANENT CRIMP FITTINGS

### Male Pipe Brass



### Male Pipe Stainless



### Male Pipe Carbon



Male Pipe Fittings - Brass	
Part No.	Description-Hose Size
0304TW	MNPT (1/8-27) - 4
0504TW	MNPT (1/4-18) - 4
0505TW	MNPT (1/4-18) - 5
0306TW	MNPT (1/4-18) - 6
0506TW	MNPT (3/8-18) - 6
0308TW	MNPT (3/8-18) - 8
0508TW	MNPT (1/2-14) - 8
0510TW	MNPT (1/2-14) - 10
0512TW	MNPT (3/4-14) - 12
0516TW	MNPT (1-11.5) - 16
0516Z	MNPT (1-11.5) - 16Z

Male Pipe Fittings - 303 Stainless	
Part No.	Description-Hose Size
1704TW	MNPT (1/8-27) - 4
2004TW	MNPT (1/4-18) - 4
2005TW	MNPT (1/4-18) - 5
1706TW	MNPT (1/4-18) - 6
2006TW	MNPT (3/8-18) - 6
1708TW	MNPT (3/8-18) - 8
2008TW	MNPT (1/2-14) - 8
2010TW	MNPT (1/2-14) - 10
2012TW	MNPT (3/4-14) - 12
2016TW	MNPT (1-11.5) - 16
2016Z	MNPT (1-11.5) - 16Z
2020Z	MNPT (1 1/4-11.5) - 20Z

Male Pipe Fittings - Carbon Steel	
Part No.	Description-Hose Size
0904TW	MNPT (1/8-27) - 4
1004TW	MNPT (1/4-18) - 4
1005TW	MNPT (1/4-18) - 5
0905TW	MNPT (1/8-27) - 5
0906TW	MNPT (1/4-18) - 6
1006TW	MNPT (3/8-18) - 6
0908TW	MNPT (3/8-18) - 8
1008TW	MNPT (1/2-14) - 8
1010TW	MNPT (1/2-14) - 10
1012TW	MNPT (3/4-14) - 12
1016TW	MNPT (1-11.5) - 16
1016Z	MNPT (1-11.5) - 16Z
1020Z	MNPT (1 1/4-11.5) - 20Z

316 Stainless Steel also available

### Female Swivel Brass



### Female Swivel Stainless



### Female Swivel Carbon



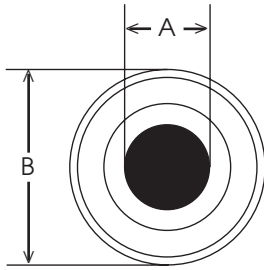
JIC 37° / SAE 45° Female Swivel Fittings	
Part No.	Description-Hose Size
3504TW	JIC/SAE SWIVEL (7/16-20) - 4
3505TW	JIC/SAE SWIVEL (1/2-20) - 5
3506TW	JIC (9/16-18) - 6
3606TW	SAE SWIVEL (5/8-18) - 6
3508TW	JIC/SAE SWIVEL (3/4-16) - 8
3510TW	JIC/SAE SWIVEL (7/8-14) - 10
3512TW	JIC (1 1/16-12) - 12
3612TW	SAE SWIVEL (1 1/16-14) - 12
3516TW	JIC (1 5/16-12) - 16
3516Z	JIC (1 5/16-12) - 16Z

JIC Swivel Fittings - 303 Stainless	
Part No.	Description-Hose Size
4003TW	37 JIC SWIVEL (3/8-24) - 3
4303TW	37 JIC SWIVEL (7/16-20) - 3
4004TW	37 JIC/SAE SWIVEL (7/16-20) - 4
3905TW	37 JIC SWIVEL (7/16-20) - 5
4005TW	37 JIC SWIVEL (1/2-20) - 5
4006TW	37 JIC SWIVEL (9/16-18) - 6
4008TW	37 JIC/SAE SWIVEL (3/4-16) - 8
4010TW	37 JIC/SAE SWIVEL (7/8-14) - 10
4012TW	37 JIC SWIVEL (1 1/16-12) - 12
4016TW	37 JIC SWIVEL (1 5/16-12) - 16
4016Z	37 JIC SWIVEL (1 5/16-12) - 16Z
4020Z	37 JIC SWIVEL (1 5/8-12) - 20Z

JIC Swivel Fittings - Carbon Steel	
Part No.	Description-Hose Size
3004TW	37 JIC/SAE SWIVEL (7/16-20) - 4
2905TW	37 JIC SWIVEL (7/16-20) - 5
3005TW	37 JIC/SAE SWIVEL (1/2-20) - 5
3006TW	37 JIC SWIVEL (9/16-18) - 6
3007TW	37 JIC SWIVEL (9/16-18) - 7N
3008TW	37 JIC/SAE SWIVEL (3/4-16) - 8
3010TW	37 JIC/SAE SWIVEL (7/8-14) - 10
3012TW	37 JIC SWIVEL (1 1/16-12) - 12
3016TW	37 JIC SWIVEL (1 5/16-12) - 16
3016Z	37 JIC SWIVEL (1 5/16-12) - 16Z
3020Z	37 JIC SWIVEL (1 5/8-12) - 20Z

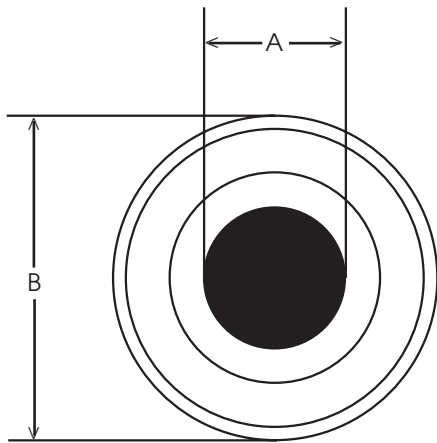
# MasterCrimp Smooth Bore Fittings

## SANITARY TABLE



### MINI SANITARIES

Size	A	B
1/2"	0.375	0.984
3/4"	0.625	0.984



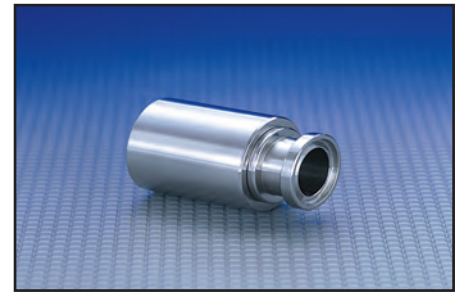
### STANDARD SANITARIES

Size	A	B	Bore Thru
1/2"	0.875	1.984	0.375
3/4"	0.875	1.984	0.609
1"	0.875	1.984	0.844
1 1/2"	1.375	1.984	1.312
2"	1.870	2.5	1.75
3"	2.875	3.576	2.73

A = OPENING ID • B = FACE OD

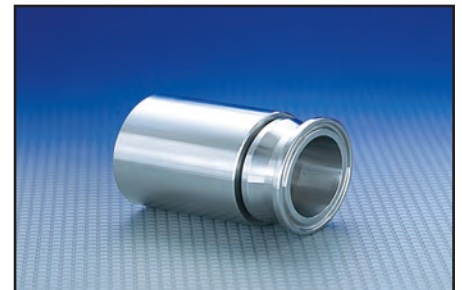
## SANITARY FITTINGS

### Mini Sanitary



Available Materials:  
316 Stainless Steel

### Sanitary



Available Materials:  
316 Stainless Steel

## CRIMP FITTINGS FOR SMOOTH BORE HOSE

# MasterCrimp Assembly System

**Fabricating Smooth Bore PTFE Hose Assemblies  
Is Now Fast, Easy & Reliable**

- Complete fitting alloy selection in stock and ready for fast delivery:  
- Carbon Steel - - Brass - - Stainless Steel -
- **MasterCrimp saves on your inventory costs** by offering you a single fitting that will fit both thin and heavy wall smooth bore hose.
- Simple assembly process **minimizes tooling & labor costs.**



After hose is cut to length, MasterCrimp ferrules are designed to slide on either by hand or with an optional collar assembly tool. One size collar fits both thin and heavy wall hose.



Easy insertion of the barbed hose end by hand. No time is wasted with finding and loading fittings in tool fixtures.



Straight crimp on the entire length of the ferrule. Jackson MasterCrimp fittings have a clean, smooth look that is appealing to all types of customers.

# MasterCrimp Smooth Bore Fittings

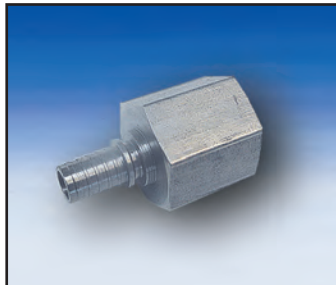
## SPECIAL APPLICATION FITTINGS

### Brass Female Pipe



Hose Size	Part No.	Pipe Thread
-5	0405TW	1/4" - 18

### Stainless Female Pipe



Hose Size	Part No.	Pipe Thread
-5	2405TW	1/4" - 18



Description	Hose Size	Part No.	Thread Size
Power Trim 45°	-4	PT-45-4	3/8-24
Power Trim 90°	-4	PT-90-4	3/8-24
Power Trim Straight	-4	PT-S-4	3/8-24
Paint Spray Swivel	-5	1505TW	1/4" NPS

Power Trim fittings are available in 304 Stainless Steel. Paint Spray Swivel available in Carbon Steel.



Tube End Fittings - 316 Stainless	
Part No.	Description-Hose Size
4804TW	1/4" OD Tube End - 4
4806TW	3/8" OD Tube End - 6
4808TW	1/2" OD Tube End - 8
4812TW	3/4" OD Tube End - 12

## JACKSON SMOOTH BORE ASSEMBLIES



Our modern production cell for smooth bore assemblies provides fast turnaround and offers tremendous value to our customers business by eliminating the need for users to stock bulk products. Jackson inventories are purposely maintained at high levels so that we can respond in a short time to your installation requirements.

Depending on the application your assemblies can be tested with water or nitrogen gas with a complete certificate of test. Our in house services also include cleaning, tagging and bagging required for high purity transfer conditions.